



 **ATMO**
sphere
technology summit
natural solutions
3 - 4 June 2013 in Vienna



Introdcution of China HCFCs Phaseout Management Plan

Wang Yong
MEPFECO, CHINA
3 June, 2013

Main Content

**Current Situation on ODS
Convention Compliance**

**China's Progress on ODS
Convention Compliance**

Main Tasks in Next Phase

Situation on ODS Convention Compliance

HCFC Accelerated Phase-out

International:

- ◆ Adjustment on Accelerated HCFCs Phase-out agreed in 2007
- ◆ ExCom focus on approval for Country's HPMP and Demo Projects
- ◆ Require all parties to establish HCFC production and export/import licensing system to ensure compliance

China:

- ◆ Phased out 4 major ODS, MBr will be phased out in 2015
- ◆ China remain the largest party in HCFC production, consumption and exportation
- ◆ More difficulties on HCFC management due to its significant increase of raw material usage and export
- ◆ Regulations on ODS Management issued

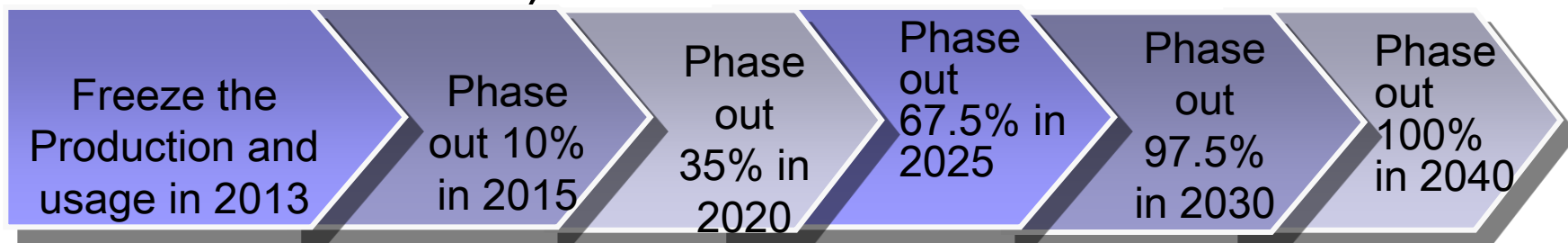
China's Progress on ODS Convention Compliance

HCFC Phase-out

■ Current Situation:

- In 2010, China's production on controlled usage of HCFC was **0.44 million tons**, accounting for 78.5% of the global total; Including **0.3 million tons** of domestic usage, about 48.8% of the global total. China faces a tough task on reaching compliance target.

- **Compliance Target** (Baseline: average level between 2009 and 2010)



China's Progress on ODS Convention Compliance

■ Industries and sectors involved

Chemical Production : 28 companies , over 0.7 Million tons of total production.

Air-conditioners: about 50 companies , 70 000 tons consumption ;


Industrial and Commercial Refrigeration : more than 300 companies , over 40 000 tons consumption ;

Refrigeration service : more than 10 thousand companies : over 70000 t

PU Foam : Thousands of companies , over 50 000 tons consumption ;


XPS Foam : hundreds of companies , 40 000 tons consumption

Solvent Sector : hundreds of companies , 5000 tons consumption ;



Almost 150 billion USD output value of HCFC production and usage in major sectors, involving dozens of thousands of companies and millions of

China's Progress on ODS Convention Compliance



▶ 2009-2012, Excom approved China's PU foam, XPS foam, Industrial and Commercial Refrigeration, Air-conditioners and Solvent sector HCFCs Phase-out Demo Project and ODS Recovery Demo Project respectively.

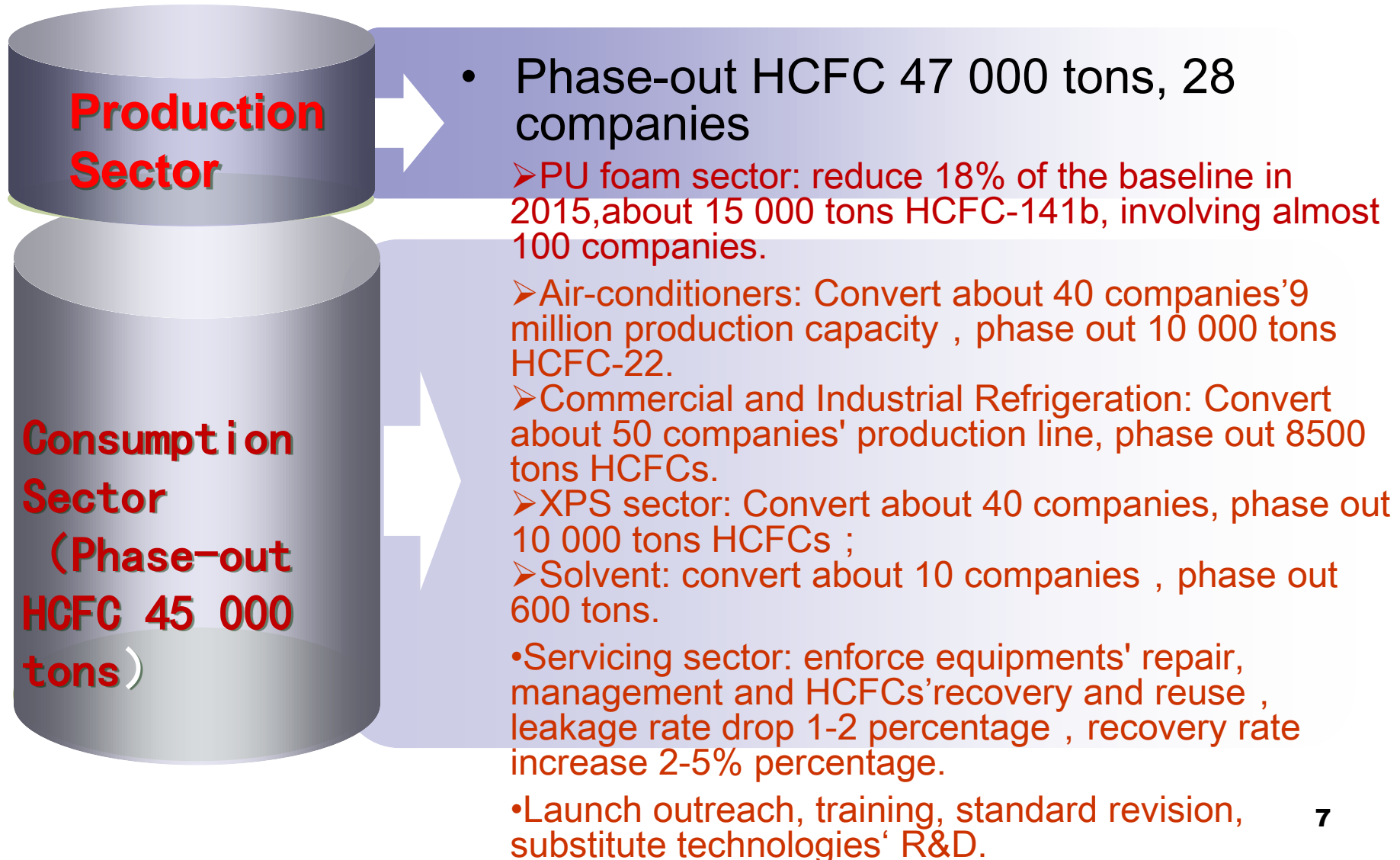
In 2011, Excom approved China's PU foam, XPS foam, Industrial and Commercial Refrigeration, Air-conditioners and Solvent sector HCFCs phase-out Management Plan (Phase 1) , approved USD 270 Million.

▶ In Dec. 2011, Implementation on Accelerated HCFCs Phase-out management Plan was held in Shanghai, hence China's Accelerated Phase-out HCFCs in Consumption Sector was officially initiated.

▶ In April 2013, the Multilateral Fund's 69th Excom meeting approved USD 95 Million for production sector's HCFC Phase-out Plan (Phase 1).

Main Tasks in Next Phase

■ Phase-out Tasks for each sector (Prior to 2015)



Main Tasks in Next Phase

To strengthen construction and enforcement of policies and regulations

Law: China's Act on Air Pollution Prevention and Control

Regulation: Regulations on Administration of ODS (total consumption control, quota system)

National industrial policy: Guideline of Industrial Structure Adjustment

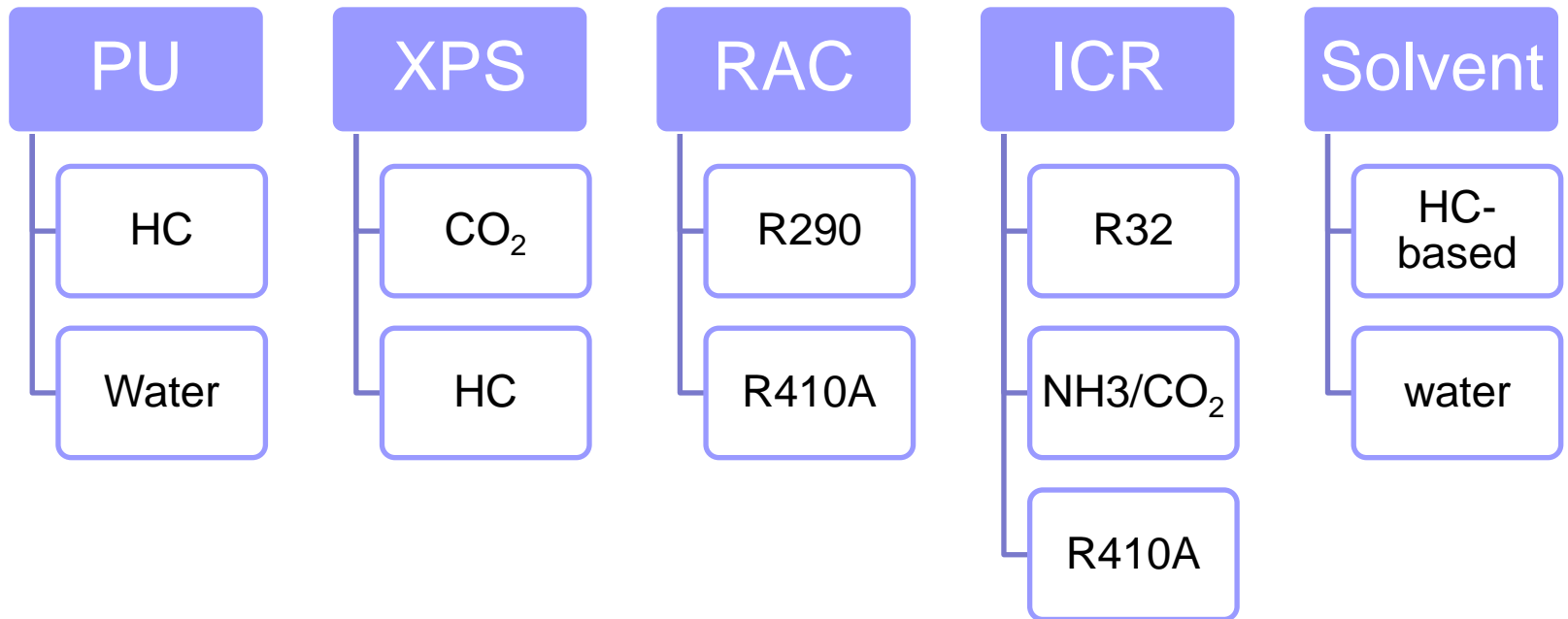
Production management mechanism: strict control on expansion or construction projects of HCFC production, production quota license system

Import and export management system: import and export quota license system

Consumption control system: strict control on construction of HCFC consuming equipment, quota license, industrial prohibition

Soon to be established: Notice on quota management of HCFC production and consumption

Major Substitute Technologies



HPMP Phase-out Strategy

Control new HCFC project by Environmental Assessment System

HCFCs' Total Control and Quota Management

Encourage substitute technologies' development and application, revise relevant products standards



Conduct Demo Projects and Investment Projects by implementing Sector Plans

Strengthen Coordination between Central and local EPBs , Furthering Local EPB's Capacity building

Strengthen outreach and training, encourage ODS recovery and reuse



Act Ozone Friendly – Stay Sun Safe

Thank you !